

REPLACEMENT SHEET



3/3

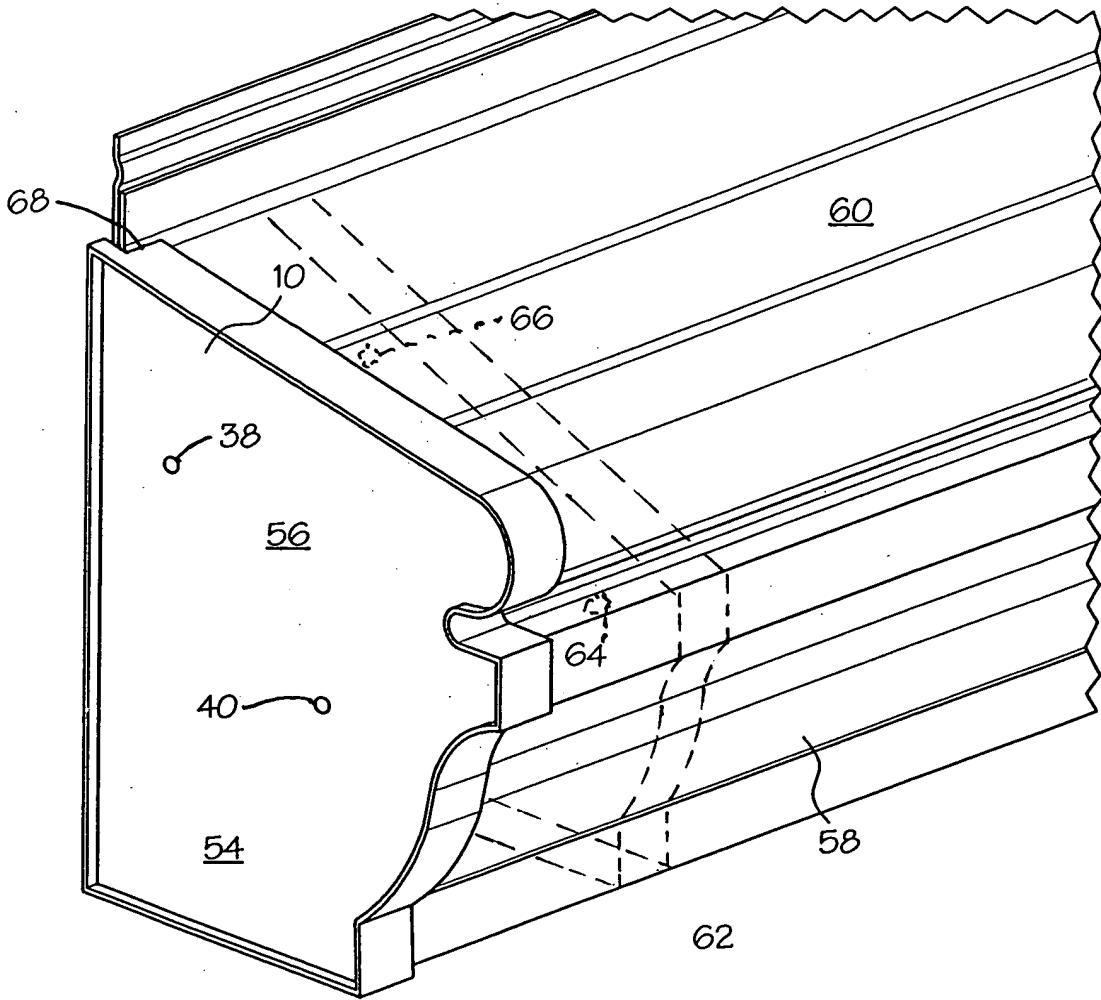


FIG. 9